

Cooker hob S4000



Gas hobs

Code: 7256 032



DETAILS

Edge/Installation Type Flush-mount | Top-mount

Finish Foster brushed

Material AISI 304 stainless steel

Texture Brushed in line

Supply 220-240 V; 50/60 Hz

Dimensions 620x520 mm

Base size 60 cm

Heating element Four burners

Built-in hole [View technical data sheet](#)

Grids Cast iron grids and enamelled burner covers

Width 62 cm

Total power 7.600 W

Auxiliary 1.100 W

Semirapid 2x1.750 W

Rapid 3.000 W

Safety Safety valve with quick-acting thermocouple

Ignition Electric ignition under knob

Gas type Tested for installation with natural gas, LPG nozzle set included.

Type Gas Hob

FEATURES

Cast iron grids Cast-iron is the ideal material for an hob grid, this due to the manifold properties characterising it: high heat capacity that improves cooking performance; high weight and stability that improve safety; sturdiness that preserves the hob's original aspect over time; easy cleaning.

lji series burners lji ^ series burners: 20% gas savings. They guarantee an efficiency well above the European standards. Furthermore, the improved combustion of gas allows the development of higher powers. From the point of view of safety, the blocking system between the cover and the flame-spreader guarantees perfect positioning and greater ease of cleaning.

Safe cooking

All Foster cooker hobs are equipped with safety valves. They shut off the gas supply very quickly if the flame accidentally goes out.

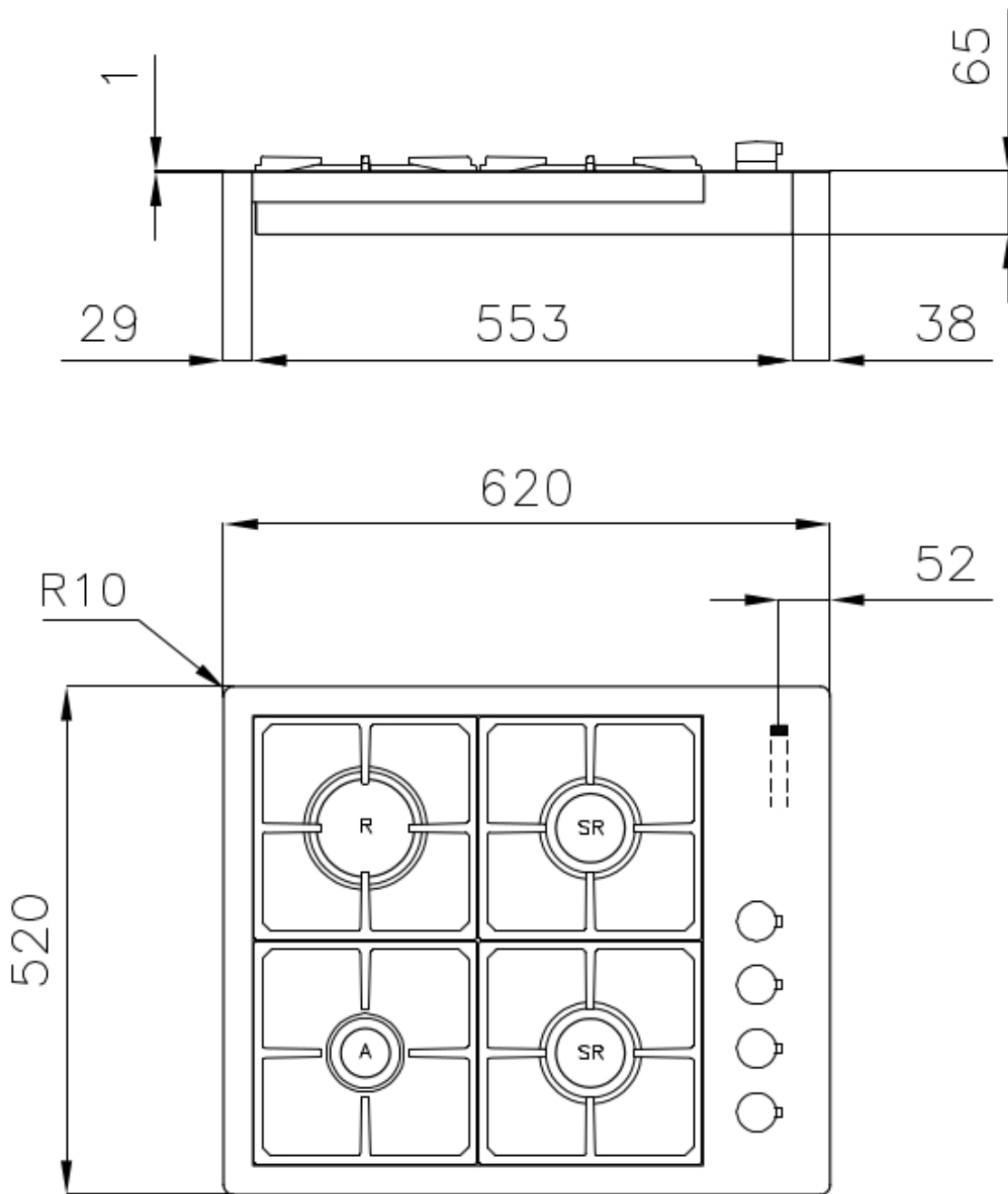
Ultra-flat hob

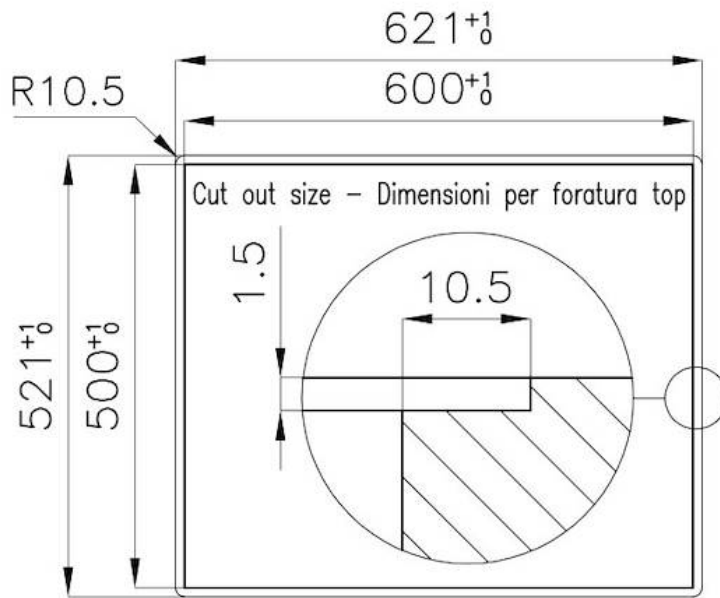
Design meets functionality in the the ultra-flat models. Elegant grids that form a generously sized overall surface.

Under-knob ignition

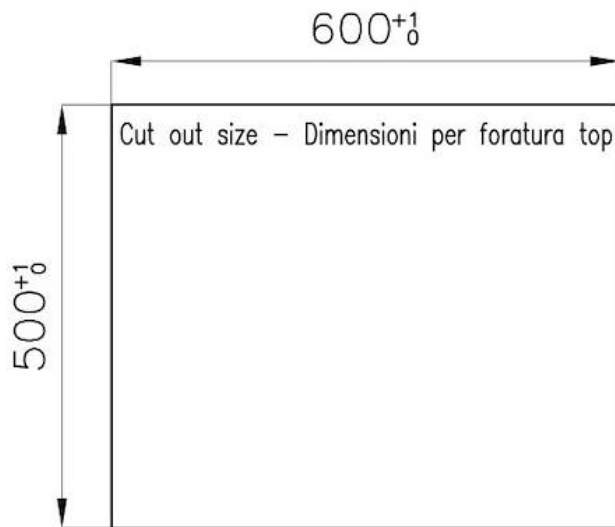
The utmost freedom of movement with electronic under-knob ignition, a common feature of all models that allows a one-hand ignition of the burner.

TECHNICAL DATA





FT



FTS

OPTIONAL ACCESSORIES



Cast iron pot support

9601 742